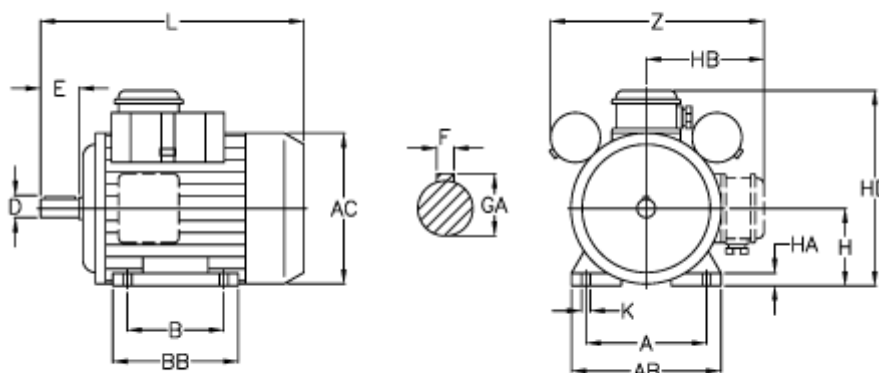


Article number: 25055262002

Description: ICME Single-phase motor MD71 B2 0,55KW  
2 - 2800 rpm 1x230 Volt 50Hz B3 with starting & running capacitor

## Measures



A = 112	H = 71
AB = 144	HA = 12
AC = 137	HB = 107
B = 90	K = 7
D = 14	L = 268
E = 30	Z = 210
F = 5	
GA = 16	